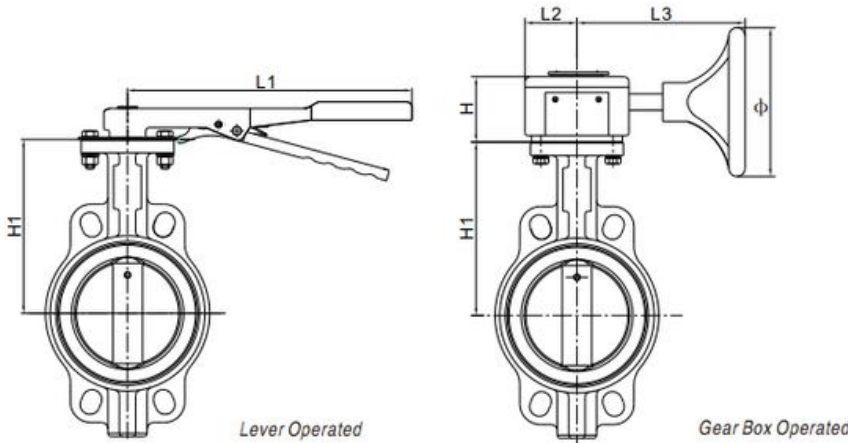


VALVULAS
MARIPOSA
VALVULAS
MARIPOSA
VALVULAS
MARIPOSA



FLUID-SUPPLY.COM

No.	Part Name	Material	Specification
1	Body	Ductile Iron	A536 Gr.65-45-12
2	Disc	Ductile Iron	A536 Gr.65-45-12
		Stainless Steel	A351 CF8/CF8M
3	Shaft	Stainless Steel	A276 410
4	Seat	EPDM/NBR/VITON	-
5	O-Ring	EPDM/NBR/VITON	-
6	Pin	Stainless Steek	A276 316/416
7	Bushing	PTFE/PAP	-
8	Lever	Malleable Iron	-
9	Gear Box Housing	Cast Iron	-



• Features

1. Replaceable Rubber Seat With Phenolic Backed
2. High Axiality of Pinned Shaft
3. Low Pressure Loss
4. Fusion Bonded Epoxy Powder Coating

• Design Standard

BS EN 593/MSS SP-67/
API 609/ISO 5752/BS 5155

• Working Pressure

16 Bar

• Flange Connection

ASME Class125/Class 150
BSEN1092-2 PN10/PN16
AS2129 Table D/Table E
JISB2239 10K/16K

• Working Temperature

-20°C to 110°C (EPDM Seat)
-10°C to 80°C (NBR Seat)
-10°C to 130°C (Viton Seat)

Dimensions (mm)

	INCH	Face to Face	H1	L1	H	L2	L3	φ
VALMAR030	2"	42	141.2	195	70	52	150	150
VALMAR031	2-1/2"	44.5	150.4	195	70	52	150	150
VALMAR032	3"	44.5	156.4	195	70	52	150	150
VALMAR033	4"	51	167.9	266	70	52	150	150
VALMAR034	5"	54.5	186.5	266	70	52	150	150
VALMAR035	6"	54.5	205.7	328	70	52	150	150
VALMAR036	8"	59.6	230.6	386	80	75	208	280
VALMAR037	10"	67	269.9	386	80	75	208	280
VALMAR038	12"	75.5	327.8	386	80	80	212	280
VALMAR039	14"	76	368	-	80	80	212	280
VALMAR040	16"	102	400	-	80	80	212	280
VALMAR041	18"	114	422	-	97	88	201	175
VALMAR042	20"	127	480	-	97	88	201	175
VALMAR043	24"	151	562	-	105	128	283	255

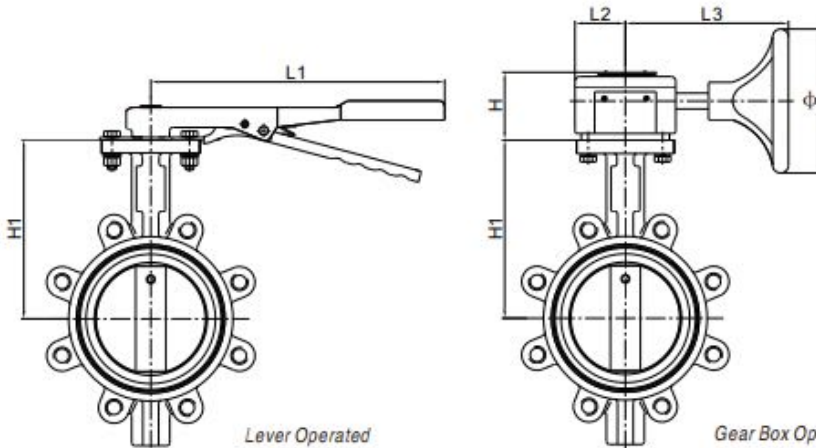
Cv Value (90° full open)

DN	50	65	80	100	125	150	200	250	300	350	400	450	500	600
Inch	2"	2-1/2"	3"	4"	5"	6"	8"	10"	12"	14"	16"	18"	20"	24"
Cv	135	220	302	600	1022	1579	3136	5340	8250	11917	16388	21705	27908	43116

Cv is the flow rate of water in US gallons per minute of 60°F water, which passes through the valve with 1psi pressure drop across the valve.



No.	Part Name	Material	Specification
1	Body	Ductile Iron	A536 Gr.65-45-12
2	Disc	Ductile Iron	A536 Gr.65-45-12
		Stainless Steel	A351 CF8/CF8M
3	Shaft	Stainless Steel	A276 410
4	Seat	EPDM/NBR/VITON	-
5	O-Ring	EPDM/NBR/VITON	-
6	Pin	Stainless Steek	A276 316/416
7	Bushing	PTFE/PAP	-
8	Lever	Malleable Iron	-
9	Gear Box Housing	Cast Iron	-



• Features

1. Replaceable Rubber Seat With Phenolic Backed
2. High Axiality of Pinned Shaft
3. Low Pressure Loss
4. Fusion Bonded Epoxy Powder Coating

• Design Standard

BS EN 593/MSS SP-67/
API 609/ISO 5752/BS 5155

• Working Pressure

16 Bar

• Flange Connection

ASME Class125/Class 150
BSEN1092-2 PN10/PN16
AS2129 Table D/Table E
JISB2239 10K/16K

• Working Temperature

-20°C to 110°C (EPDM Seat)
-10°C to 80°C (NBR Seat)
-10°C to 130°C (Viton Seat)

Dimensions (mm)

	INCH	Face to Face	H1	L1	H	L2	L3	φ
VALMAR045	2"	42	141.2	195	70	52	150	150
VALMAR046	2-1/2"	44.5	150.4	195	70	52	150	150
VALMAR047	3"	44.5	156.4	195	70	52	150	150
VALMAR048	4"	51	167.9	266	70	52	150	150
VALMAR049	5"	54.5	186.5	266	70	52	150	150
VALMAR050	6"	54.5	205.7	328	70	52	150	150
VALMAR051	8"	59.6	230.6	386	80	75	208	280
VALMAR052	10"	67	269.9	386	80	75	208	280
VALMAR053	12"	75.5	327.8	386	80	80	212	280
VALMAR054	14"	76	368	-	80	80	212	280
VALMAR055	16"	102	400	-	80	80	212	280
VALMAR056	18"	114	422	-	97	88	201	175
VALMAR057	20"	127	480	-	97	88	201	175
VALMAR058	24"	151	562	-	105	128	283	255

Cv Value (90° full open)

DN	50	65	80	100	125	150	200	250	300	350	400	450	500	600
Inch	2"	2-1/2"	3"	4"	5"	6"	8"	10"	12"	14"	16"	18"	20"	24"
Cv	135	220	302	600	1022	1579	3136	5340	8250	11917	16388	21705	27908	43116

Cv is the flow rate of water in US gallons per minute of 60°F water, which passes through the valve with 1psi pressure drop across the valve.

